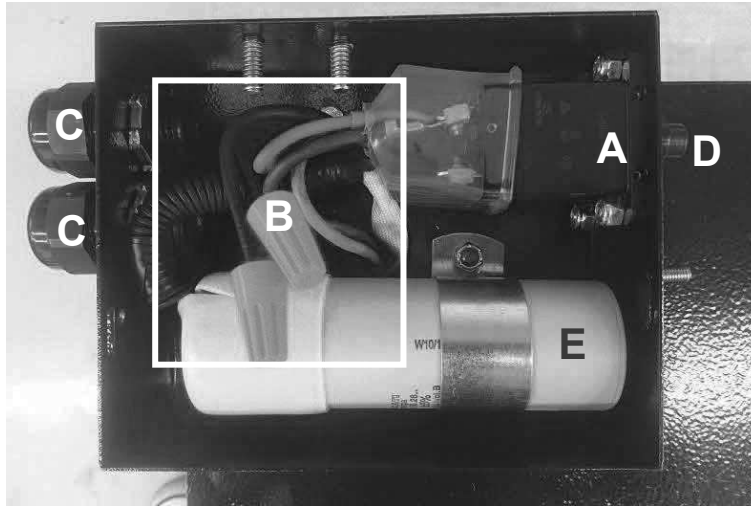


S9.3 Generator Wiring Electrical Schematics

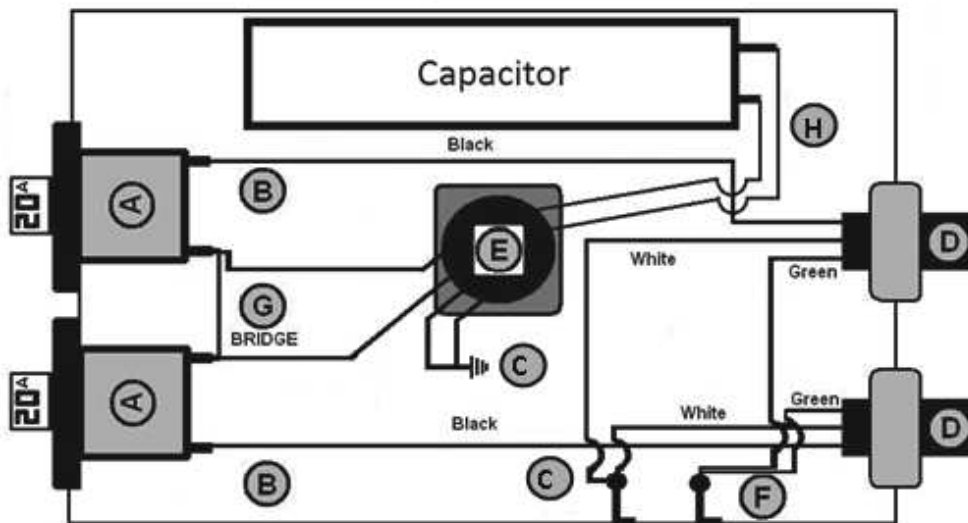
Figure 9-7



LEGEND	
A	Breakers
B	Wires from Generator
C	Output Connectors
D	Breaker Resets
E	Capacitor

Figure 9-7

Junction Box Wiring Schematic for Linz Generator



LEGEND	
A	20 Amp Breakers
B	Black Live Wire from Load
C	Neutral Bonded to Generator Box with Provided Stud
D	120 Volt Electrical Cables
E	Wiring from Generator
F	Green Wires Grounded Using Existing Junction Box Mounting Bolt
G	Breaker Interconnect Wire (Bridge)
H	Capacitor Wires